

DUAL FEED SYSTEMS

WATER QUALITY
MONITORING
SOLUTIONS



FEATURES & BENEFITS

- Monitor two streams with a single instrument
- Sample before and after treatment for removal efficiency
- User configurable sampling and purging time
- Two 4-20 mA outputs for both sample streams
- NEMA 4 wall mounted cabinet, simple installation

OVERVIEW

Real Tech's Dual Feed systems provide the ability to monitor two separate streams with a single instrument. The external wall mounted system is easy to install with any Real Tech sensor or analyzer. The sample time for each stream is configurable, with an optional purge time in between to minimize sample cross over. Ideal for monitoring removal across a treatment system, the dual feed is an affordable and valuable addition for many monitoring applications.

MODELS

PRODUCT #	NAME	DESCRIPTION
UVT-078120	Dual Feed	Two stream option for use with M series analyzers.
S-178121	Dual Feed II	Two stream option for use with sensors/controllers.

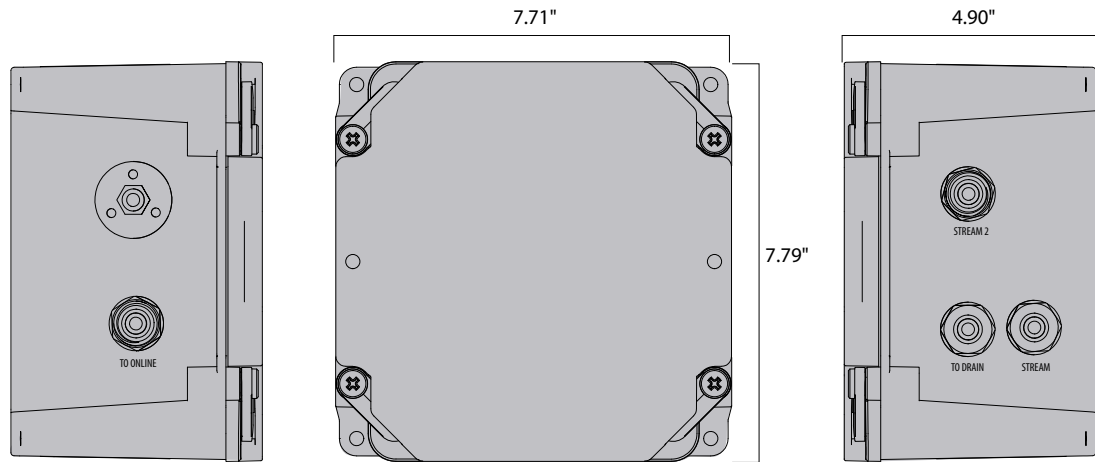
SPECIFICATIONS

CHARACTERISTIC	TECHNICAL DATA
Communication	Dry Contact (Dual Feed), Digital IO/Dry Contact (Dual Feed II)
Electrical	From controller/ analyzer
Enclosure	NEMA 4, wall mounted
Dimensions	7.79"H x 7.71"W x 4.90"D
Min Flow Rate	300 mL/min
Max Flow Rate	1000 mL/min
Max Pressure	20 PSI
Fluid Connections	1/4" tube push-in fittings
Storage Temp.	-20 to 60°C (-4 to 140°F)
Operating Temp.	0 to 45°C (32 to 113°F)
Weight	10 lb
Warranty	2-year limited warranty

* Technical Specifications are subject to change without notice.

DIMENSIONS

The dual feed systems are installed directly on a wall or system backboard.



Real Tech Inc.

1150 Champlain Court,
Whitby, Ontario L1N 6K9 Canada
TF: 1.877.779.2888 T: 1.905.665.6888
info@realtechwater.com

REALTECH
INC.